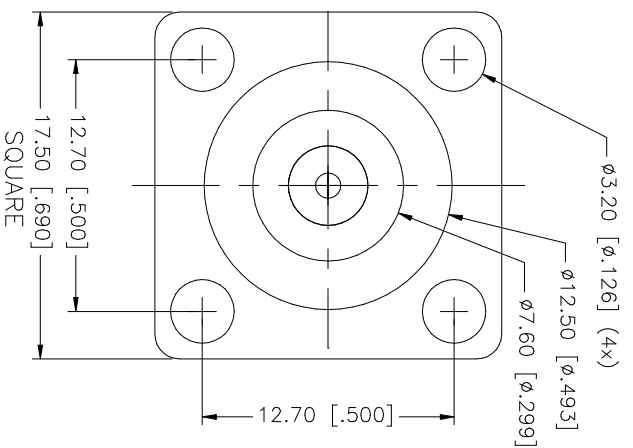
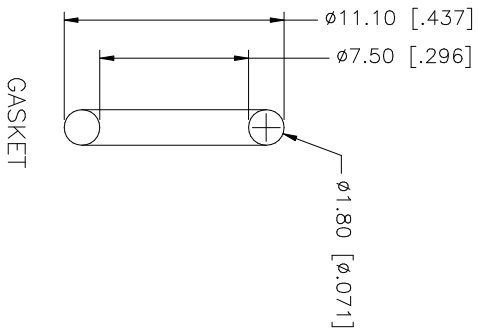
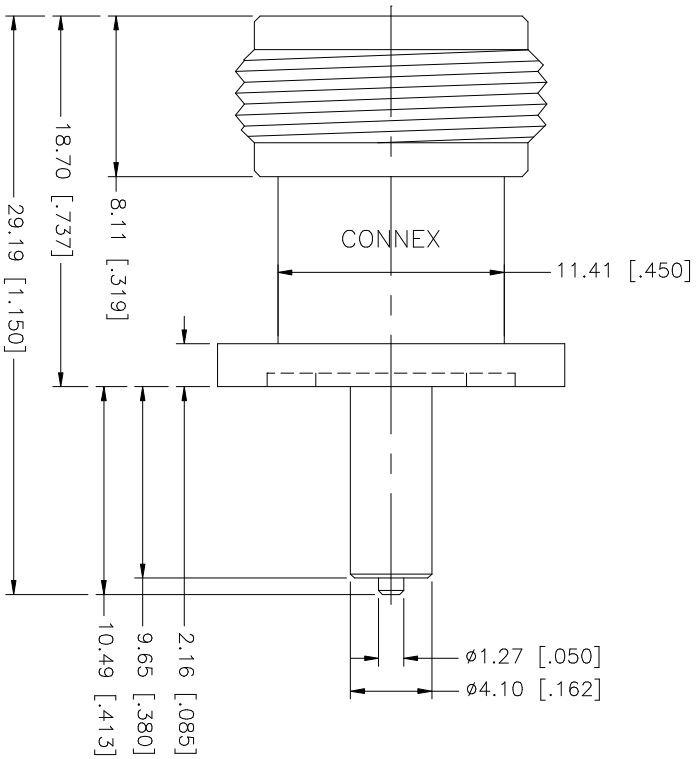


| REV. | DATE     | DESCRIPTION           |
|------|----------|-----------------------|
| NC   | 05/24/05 | INITIAL RELEASE       |
| A    | 06/01/06 | UPDATE DRAWING FORMAT |



| NO. | DESCRIPTION | MATERIAL     | FINISH   | QTY     | UNLESS OTHERWISE SPECIFIED DIMENSIONS ARE IN MILLIMETERS. DIMENSIONS IN [ ] ARE IN INCHES AND FOR CUSTOMER REFERENCE ONLY.  | APPROVALS | DATE              | PART DESCRIPTION | DWG. NO.   | REV.       | SIZE | SCALE |    |
|-----|-------------|--------------|----------|---------|---|-----------|-------------------|------------------|--|------------|------|-------|----|
| 8   |             |              |          |         | UNLESS OTHERWISE SPECIFIED DIMENSIONS ARE IN MILLIMETERS. DIMENSIONS IN [ ] ARE IN INCHES AND FOR CUSTOMER REFERENCE ONLY.<br>TOLERANCES FOR MILLIMETERS ARE:<br>0.5 - 8mm ± 0.20mm<br>8 - 30mm ± 0.40mm<br>30 - 120mm ± 0.50mm<br>UNLESS OTHERWISE SPECIFIED TOLERANCES FOR INCHES ARE:<br>.020 - .315 = ± 0.007"<br>.315 - 1.180 = ± 0.015"<br>1.180 - 4.724 = ± 0.020" | DRAWN     | G.R.S.            | 06/01/06         | <b>Amphenol Connex</b><br>N PANEL RECEPTACLE, SMALL FLANGE | 172226.DWG | A    | A     | NA |
| 7   |             |              |          | CHECKED |   |           |                   |                  |  |            |      |       |    |
| 6   |             |              |          | ISSUED  |   |           |                   |                  |  |            |      |       |    |
| 5   |             |              |          |         |   |           |                   |                  |  |            |      |       |    |
| 4   | GASKET      | SILICONE     | RED      | 1       |   |           |                   |                  |  |            |      |       |    |
| 3   | CONTACT PIN | PHOS. BRONZE | GOLD 20u | 1       |   |           |                   |                  |  |            |      |       |    |
| 2   | INSULATOR   | TEFLON       | NATURAL  | 1       |   |           |                   |                  |  |            |      |       |    |
| 1   | BODY        | BRASS        | NICKEL   | 1       |   |           |                   |                  |  |            |      |       |    |
|     | DESCRIPTION | MATERIAL     | FINISH   | QTY     | DO NOT SCALE DRAWING  | CAD FILE  | C:/172/172226.DWG |                  |  |            |      |       |    |