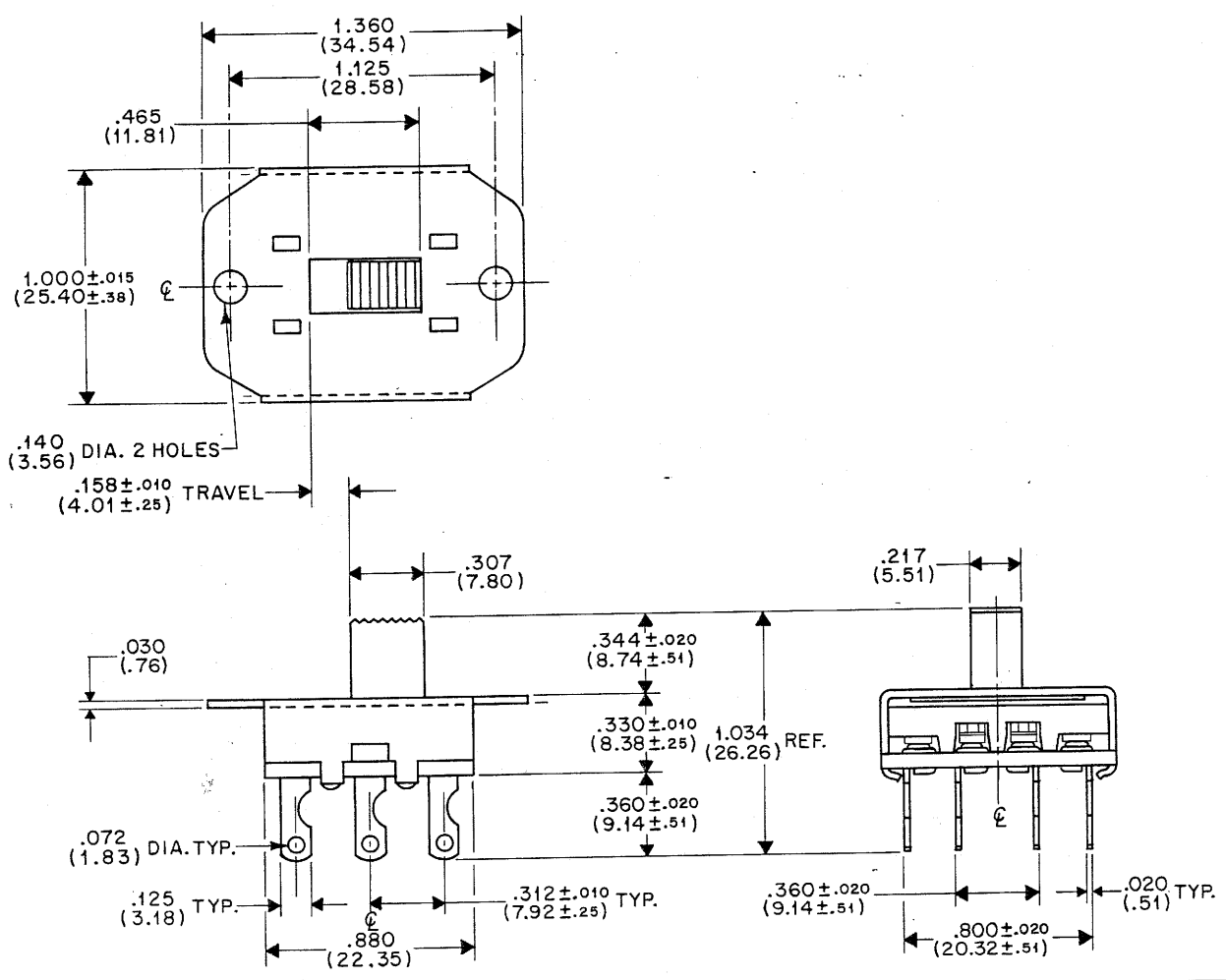


GF-342-0000
DRAWING NUMBER

NOTE:
DIMENSIONS IN () ARE IN MILLIMETERS.



REVISIONS

PDF File Made

METRIC TOLERANCES
UNLESS OTHERWISE
SPECIFIED
ONE PLACE DECIMAL
+ OR - .25 MM
TWO PLACE DECIMAL
+ OR - .13 MM

DIMENSIONS ARE IN INCHES.
DO NOT SCALE DRAWING.

CW INDUSTRIES WARMINSTER, PA. 18974	
TOLERANCES UNLESS OTHERWISE SPECIFIED	2 PLACE DECIMAL — ± .010 3 PLACE DECIMAL — ± .005 ANGLES — ± 1° FRACTIONS — ± 1/64
MADE FOR	
DRAWN BY Leo Webber	DATE 3-14-80
CHECKED BY	DATE
ENG. APPR.	DATE

SWITCH	
SWITCH ASSEMBLY 4 P - D.T.	
GF-342-0000	
DRAWING NUMBER	