

μA703E

RF-IF AMPLIFIER

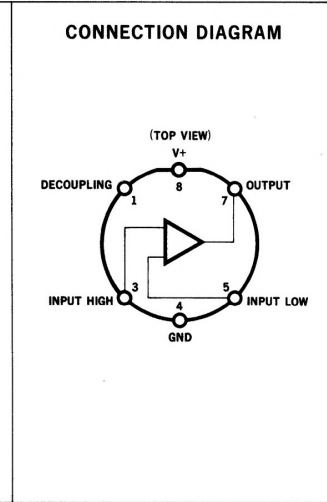
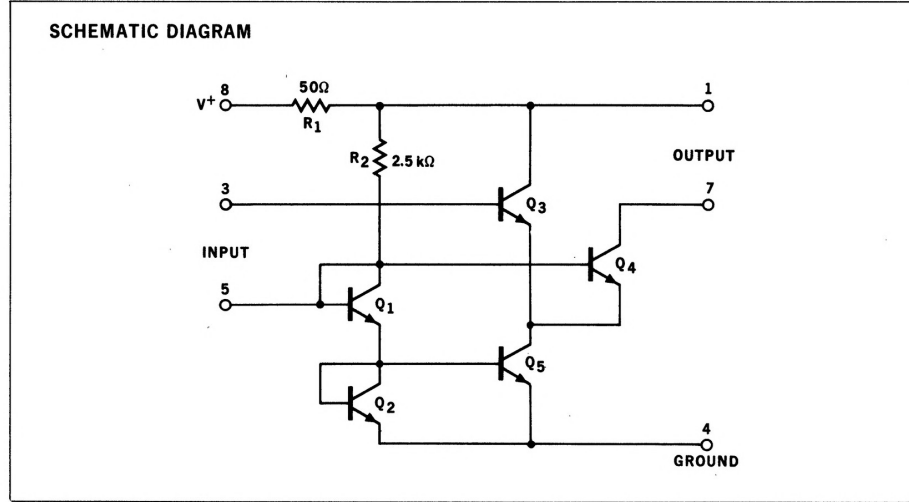
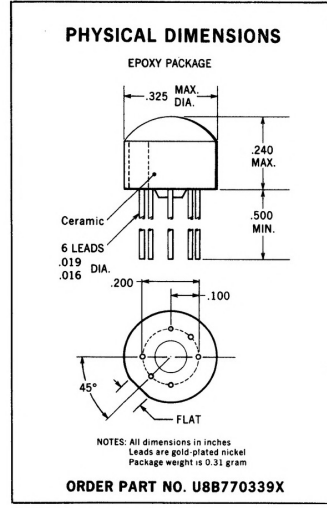
FAIRCHILD LINEAR INTEGRATED CIRCUITS

GENERAL DESCRIPTION - The μA703E is a linear integrated circuit with useful unneutralized power gain to frequencies in excess of 100 MHz. It features the capability of nonsaturating limiter operation with a suitable output load, making it ideally suited for FM-IF limiter applications.

Applications include FM-IF limiter-amplifier, TV sound IF amplifier, chroma reference oscillator for color TV, and fixed-gain amplifiers to 100 MHz.

ABSOLUTE MAXIMUM RATINGS

Supply Voltage	20 V
Output Collector Voltage	24 V
Voltage Between Input Terminals	± 5.0 V
Internal Power Dissipation (Note 1)	200 mW
Operating Temperature Range	0°C to +70°C
Storage Temperature Range	-55°C to +125°C
Lead Temperature (Soldering - 10 seconds)	260°C



NOTE 1: Rating applies for ambient temperatures to +70°C.