

southco

PROPRIETARY ITEM - EXCEPT FOR USES EXPRESSLY GRANTED IN WRITING INFORMATION DISCLOSED HEREON IS CONFIDENTIAL AND ALL RIGHTS PATENT AND OTHERWISE ARE RESERVED BY SOUTHCO, INC.

**SOUTHCO No. 47 CAPTIVE FASTENER
8-32 THREAD, FLARE-IN STYLE**

DATE	DRAWN	CHECKED	SCALE	DRAWING NUMBER
5/23/91	JAD		2:1	J-47-1-832

REV	DATE	DRAWN/CHECKED	DESCRIPTION
H	24OCT2002	DLH/AJH/PRN	P2002-D82B
I	03SEP2003	AAB/CHW/PRN	P2003-D76B

PART NUMBER	SCREW PROJECTION		PANEL THICKNESS		B	L
	P-1	P-2	A. MIN	A. MAX		
47-10-3X2-YZ	-.04	-.24				
47-11-3X2-YZ	-.11	.3				
47-12-3X2-YZ	-.17	.36	.06B	.125	.015	.070
47-13-3X2-YZ	-.23	.43				
47-10-3X4-YZ	-.11	.3				
47-11-3X4-YZ	-.17	.36	125	.189	.062	.135
47-12-3X4-YZ	-.23	.43				
47-10-3X6-YZ	-.17	.36	.189	.250	125	197
47-11-3X6-YZ	-.23	.43				
47-10-3X8-YZ	-.23	.43	250	.312	188	260

INCHES

ALL DIMENSIONS WITHOUT TOLERANCES ARE FOR REFERENCE ONLY.

THIRD ANGLE PROJECTION

B PAPER SIZE

MATERIAL AND FINISH:

KNOB: 8000 SERIES ALUMINUM

SCREW: 400 SERIES STAINLESS STEEL, PASSIVATED; OR HARDENED CARBON STEEL, ZINC PLATE, CHROMATE PLUS SEALER (SEE "Z" TABLE) (NOTE: KNIB AND TOP OF SCREW AVAILABLE WITH POWDER COATING, SEE "Y" TABLE)

FERRULE: 8000 SERIES ALUMINUM, NATURAL

SPRING: 300 SERIES STAINLESS STEEL, PASSIVATED

"Z" KNOB TYPE AND SCREW MATERIAL

"X" SCREW RECESS

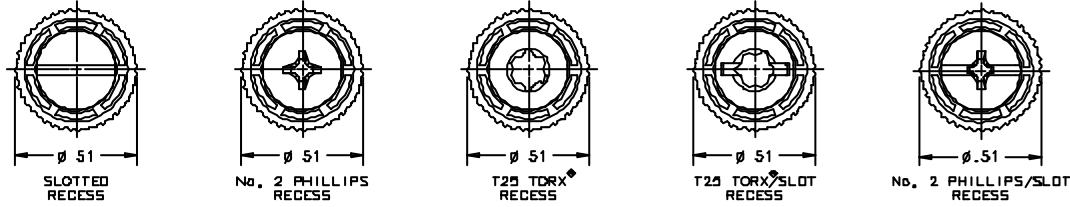
- 0 - SLOTTED
- 2 - No.2 PHILLIPS
- 4 - T25 TORX*
- 6 - T25 TORX/SLOT COMBINATION
- B - No.2 PHILLIPS/SLOT COMBINATION

"Y" FINISH ON KNOB & SCREW HEAD

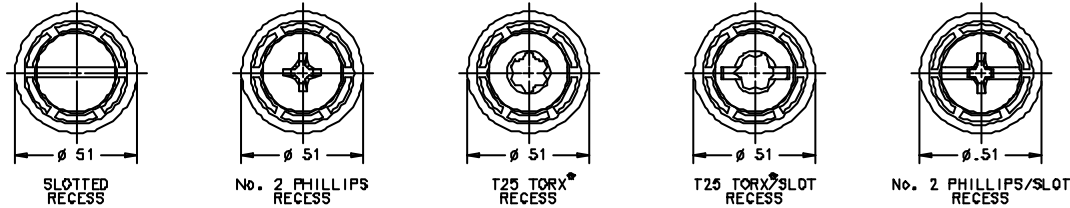
- 1 - BRIGHT
- 4 - CUSTOM COLOR SEE J-47-D-3 FOR ADDITIONAL SUFFIX
- 5 - BLACK POWDER COATED

KNOB	SCREW MATERIAL	RECESS	
		SLOTTED PHILLIPS	TORX* TORX/SLOT PHILLIPS/SLOT
KNURLED	STAINLESS STEEL	0	N/A
SMOOTH	STAINLESS STEEL	1	N/A
KNURLED	STEEL	4	0
SMOOTH	STEEL	5	1

KNURLED KNOBS

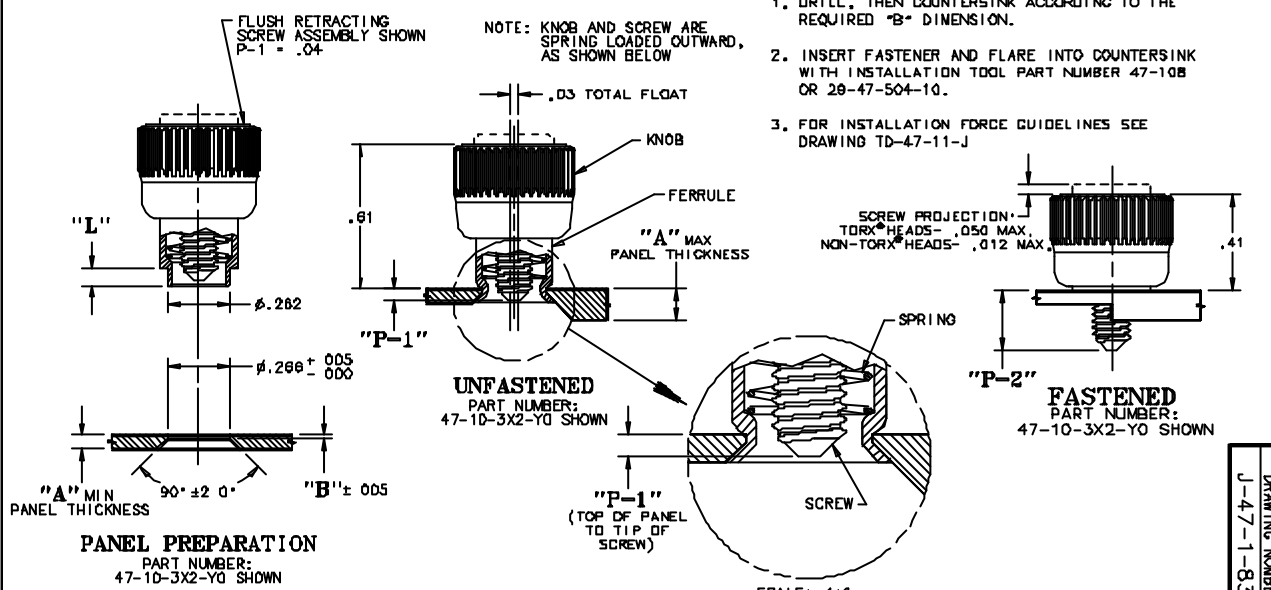


SMOOTH KNOBS



TO INSTALL FASTENER:

1. DRILL, THEN COUNTERSINK ACCORDING TO THE REQUIRED "B" DIMENSION.
2. INSERT FASTENER AND FLARE INTO COUNTERSINK WITH INSTALLATION TOOL PART NUMBER 47-10B OR 29-47-504-10.
3. FOR INSTALLATION FORCE GUIDELINES SEE DRAWING TD-47-11-J



TORX* IS A REGISTERED TRADEMARK OF THE CAMCAR DIVISION OF TEXTRON, INC.

DRAWING NUMBER
J-47-1-832