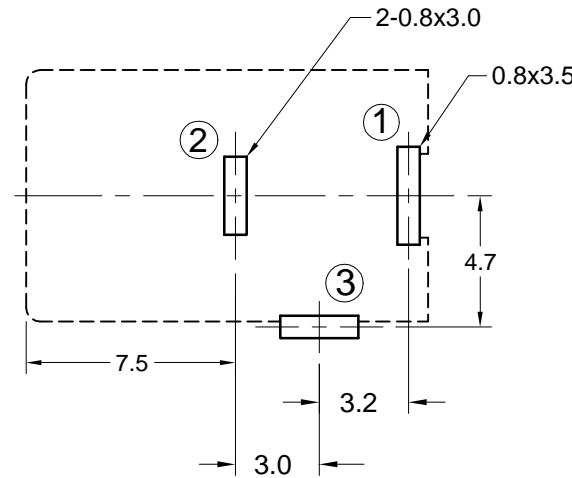
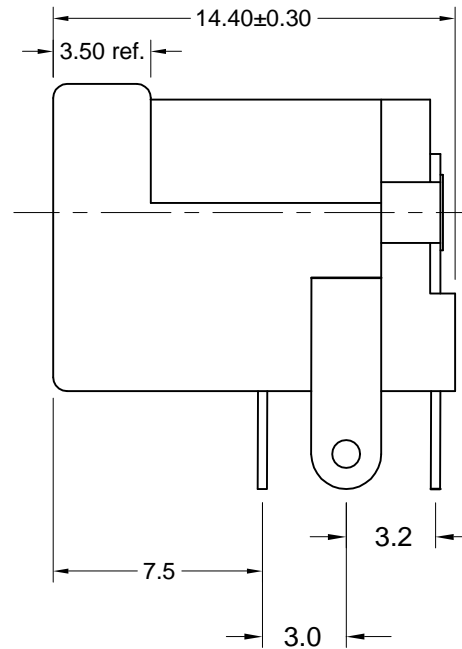
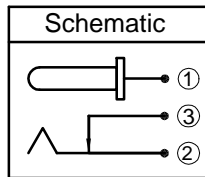
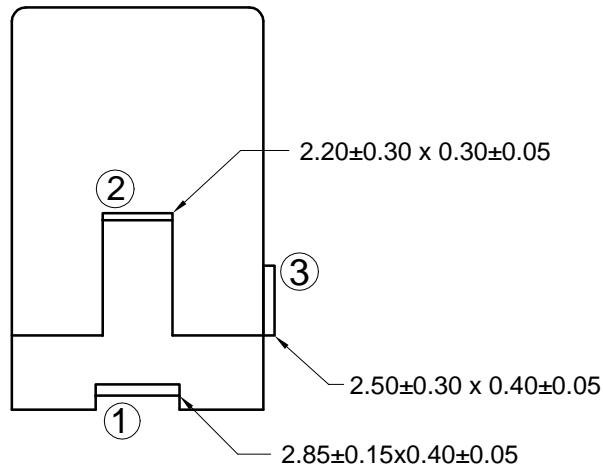
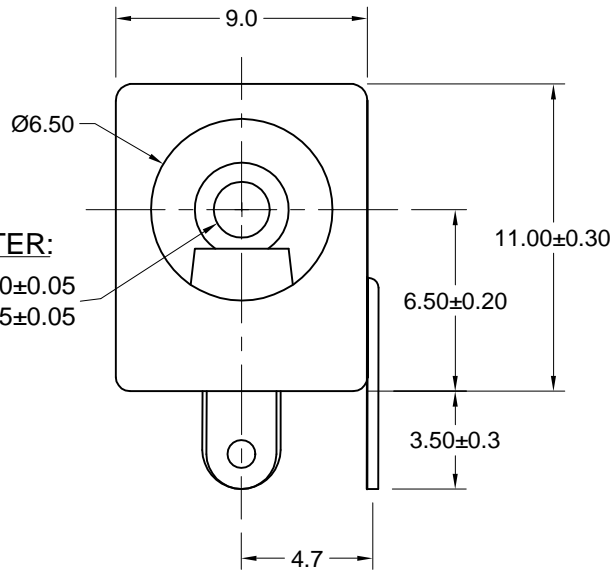


PIN DIAMETER:

KLD-0202-A 2.0±0.05
 KLD-0202-B 2.5±0.05



**PCB Layout
(Top View)**

Material and Finish

Body: PBT Thermoplastic
 UL94V-0, Color: Black
 Center Pin: Brass, Nickel Plated
 Contact #1: Brass, Tin Plated
 Contact #2: Phosphor Bronze, Tin Plated
 Contact #3: Brass, Tin Plated

Electrical Characteristics

Contact Resistance
 Before Test
 Between Terminals: 30 milliohms Max.
 Plug to Contacts: 50 milliohms Max.

After Test:
 Between Terminals: 60 milliohms Max.
 Plug to Contacts: 100 milliohms Max.

Rated Voltage: 24V DC

Rated Current: 3.5 amps

Insulation Resistance: 100 Megohms Min.
 at 500V DC

Mechanical Characteristics

Durability Test: 5000 cycles

Insertion Force: 0.3kg-2.0kg

Extraction Force: 0.3kg-2.0kg

Operating Temp: -25°C to +85°C

Tolerances	
X.X	± 0.25
X.XX	± 0.15
Angles	± 2°
Unless Specified Otherwise	

CSA NRTL/C Certified File No. LR78160

REVISION	DATE	DESCRIPTION	DRAWN BY	REV CHECK BY	UNITS
B2	1/28/00	REF ECO 00-009	K. Wallace	T. Gokcek	mm
B3	3/25/02	REF ECO 01-214	REVISED BY	CHECK DATE	DATE
B4	3/14/03	REF ECO 02-128	C. Leiva	4/10/03	6/30/98

KLD-0202-A & KLD-0202-B

Thru-hole DC power jack
 for 2.0 and 2.5 mm plugs

