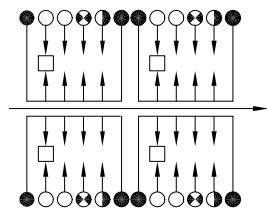
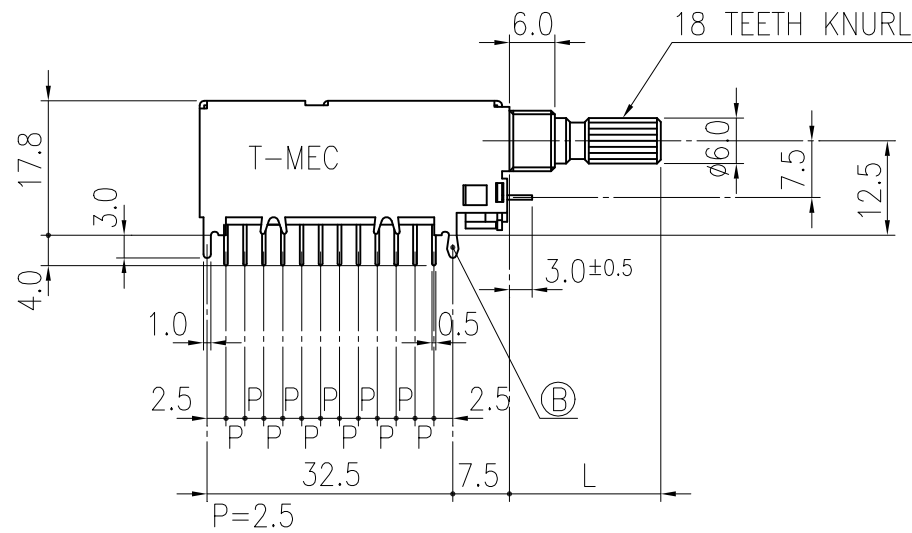
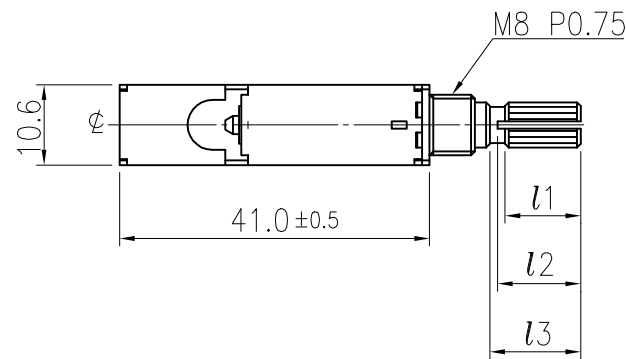


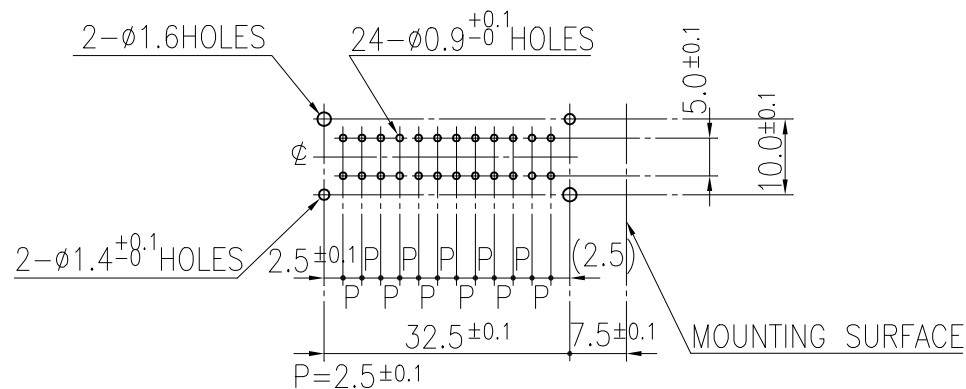
SCHEMATIC (4P4T)  
(4P3T)  
(4P2T)



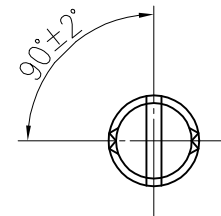
- COMMON TERMINALS
- ● DUMMY TERMINALS (2 POSITIONS)
- ● ● DUMMY TERMINALS (3 POSITIONS)



PIERCING PLAN



SHAFT DETAIL (2/1)



SHAFT SHOWN IN FULL C.C.W. POSITION

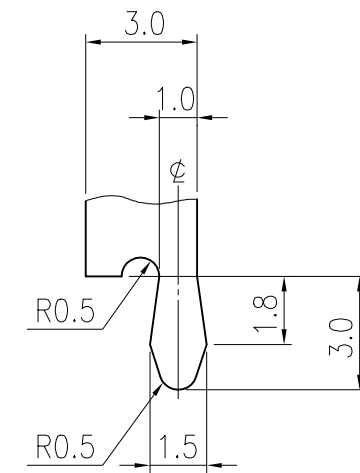
	15K3QA	25K3QA	20K3QA	30K3QA
L	15.0	25.0	20.0	30.0
l1	6.0	12.0	10.0	12.0
l2	6.5	13.0	11.0	13.0
l3	7.0	14.0	12.0	14.0

REVISIONS

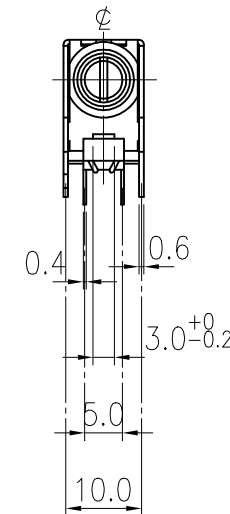
SYM	DISCRIPTION	DATE	APPROVED	SYM	DISCRIPTION	DATE	APPROVED
△				△			
△				△			

SPECIFICATIONS

RATING	DC30V 0.3A	TIMING	
CONTACT RESISTANCE	20mΩ MAX.	OPERATION (TORQUE)	0.6±0.3 Kgf·cm
INSULATION RESISTANCE	DC500V-100MΩ MIN.	STROKE (ANGLE)	30°±3°
WITHSTAND VOLTAGE	AC500V-1 MINUTE	CONTACT RESISTANCE	50mΩ MAX.
REMARKS :		(AFTER 10,000 CYCLES LIFE TEST)	



Ⓑ DETAIL (5/1)



MODEL NO.	TIMING	POSITIONS
A042ML	SHORT	2
A042BL	NON-SHORT	
A043ML	SHORT	3
A043BL	NON-SHORT	
A044ML	SHORT	4
A044BL	NON-SHORT	

TOLERANCES UNLESS OTHERWISE SPECIFIED ±0.3			SIGNATURES	DATE	MODEL
SYMBOL	UNIT	SCALE	DRAWN		TITLE
			CHECKED		ROTARY SLIDE SWITCH
			APPROVALS		NO.
△	mm	1/1			RS003-A04 L - K3QA

TAIWAN MISAKI ELECTRONICS CO., LTD.